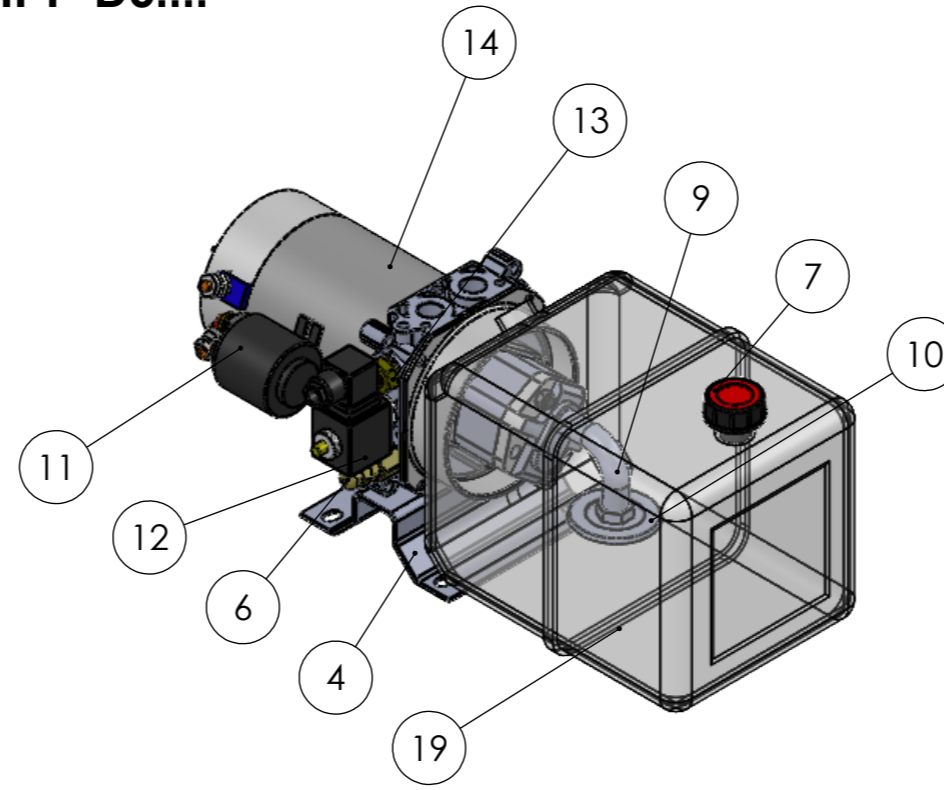
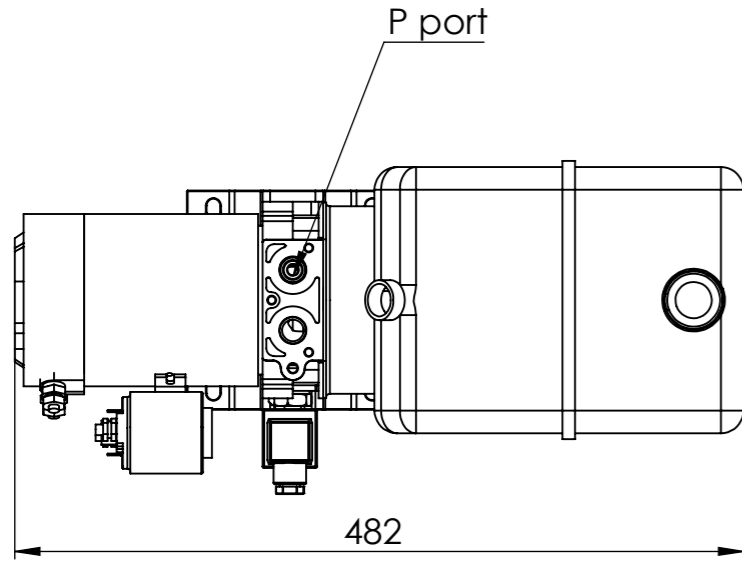
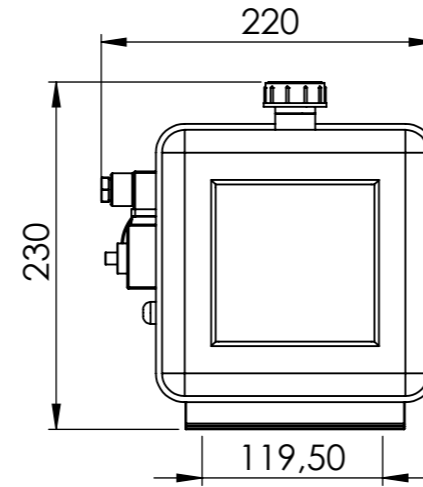
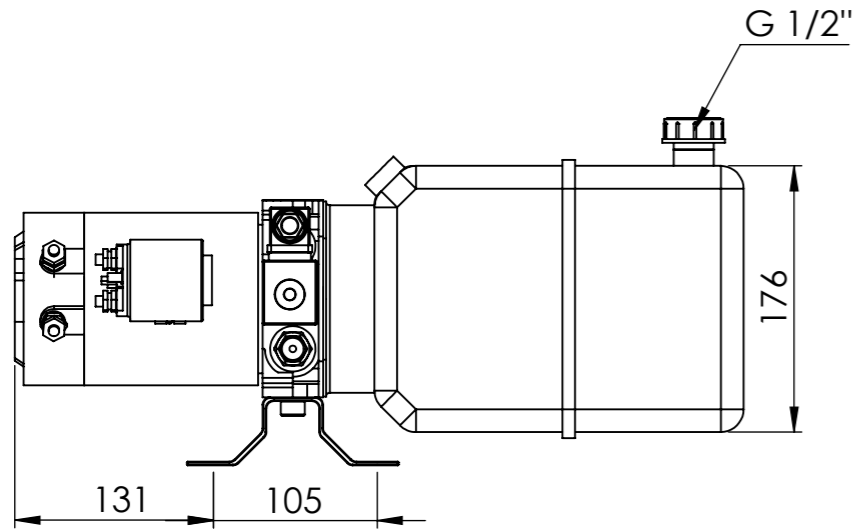


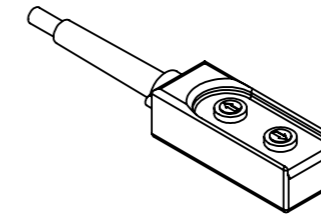
HPP-D5....



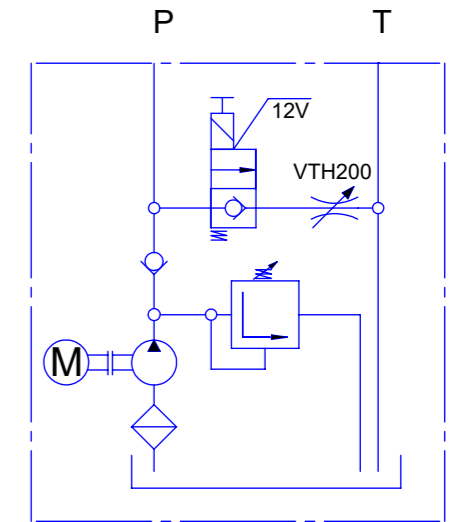
| PART NO. | PART NAME | QTY. |
|----------|------------------|------|
| 1 | MBWP-10(Popetli) | 1 |
| 2 | DC coupling | 1 |
| 3 | Return plastic | 1 |
| 4 | Connection plate | 1 |
| 7 | AB-1/2" | 1 |
| 8 | 10C2.1X302 | 1 |
| 9 | SP-90-S | 1 |
| 10 | Filter | 1 |
| 11 | STX12V150 | 1 |
| 12 | P-NC-MO-12 | 1 |
| 13 | HP-SFCV(VTH200) | 1 |
| 14 | DC12MY-1.6 | 1 |
| 19 | TPL06 | 1 |



2 button control and 2.5 meter cable added.
2'li buton ve 2.5 metre kablo eklenecektir.



Hydraulic Circuit
P, T = G 3/8"



NOTES 2 button control and 2.5 meter cable added.
2'li buton ve 2.5 metre kablo eklenecektir.

| ELECTRIC MOTOR | PUMP | OIL TANK | MAX PRESSURE |
|--------------------|----------------------------|------------------------|--------------|
| POWER 1.6 kW | DISPLACEMENT 2.1 cc/rev | CAPACITY 6 liter | 155 bar |
| VOLTAGE 12 V DC | | TYPE Square | |
| SPEED 2500rpm | | ASSEMBLY Horizontal | |
| FREQUENCY | | MATERIAL Plastic | |

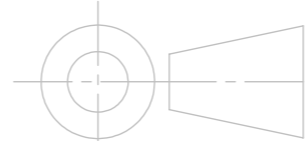
DESIGNED BY

CHECKED BY

DATE

REVISION

REVISION DATE



DESCRIPTION

MINI POWERPACK

SCALE: 1:5

DIMENSIONS: mm

A3