



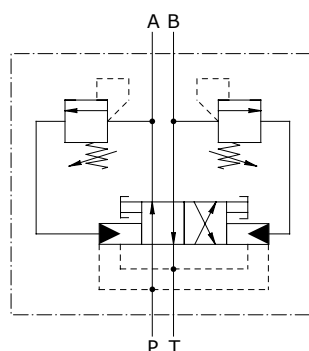
Type VIA/AP automatic reversing valves

- Face mounting cetop 3 (6-38) or cetop 5 (10-12)
- Cast iron body

Technical specifications and diagrams are measured with mineral oil of 46 cSt viscosity at 40°C (104°F) temperature.

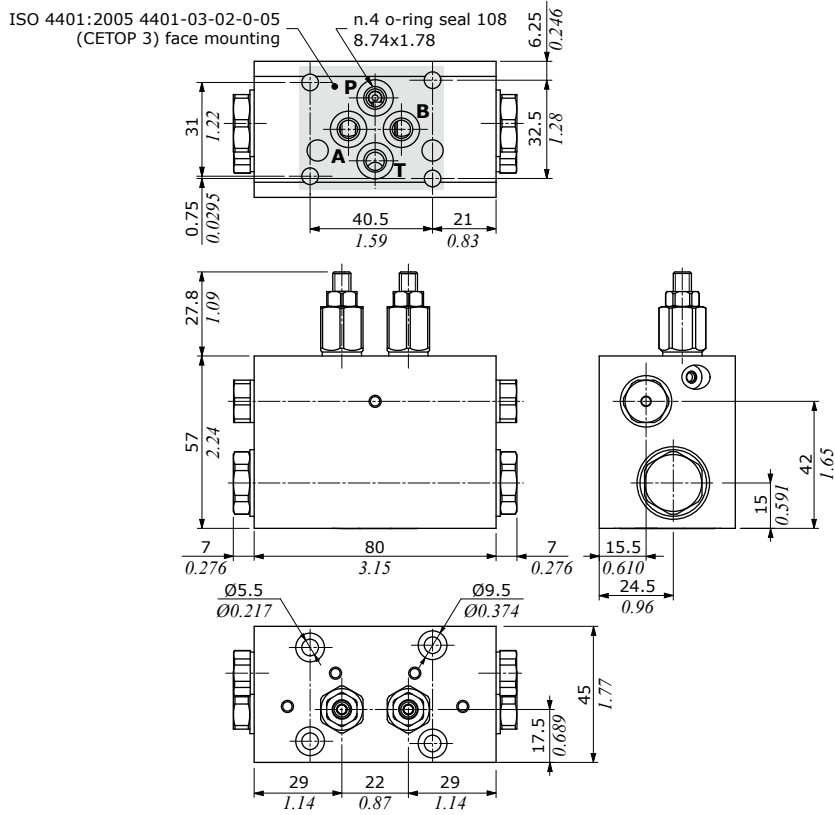
	VIA/AP 6-38	VIA/AP 10-12
Nominal flow	30 l/min (7.9 US gpm)	60 l/min (15.9 US gpm)
Min. flow		4 l/min (1.06 US gpm)
Max. pressure		210 bar (3050 psi)
Max. reversing frequency		30/min
Fluid		mineral based oil
Viscosity		from 10 to 200 cSt
Max. level of contamination		18/16/13 ISO4406
Fluid temperature	with NBR seals from -20°C (-4°F) to 80°C (176°F)	
Environmental temp. for working conditions	from -40°C (-40°F) to 100°C (212°F)	
Weight	cast iron 1.45 kg (3.20 lb)	2.31 kg (5.09 lb)

NOTE - For different conditions, please contact Walvoil Sales Dpt.

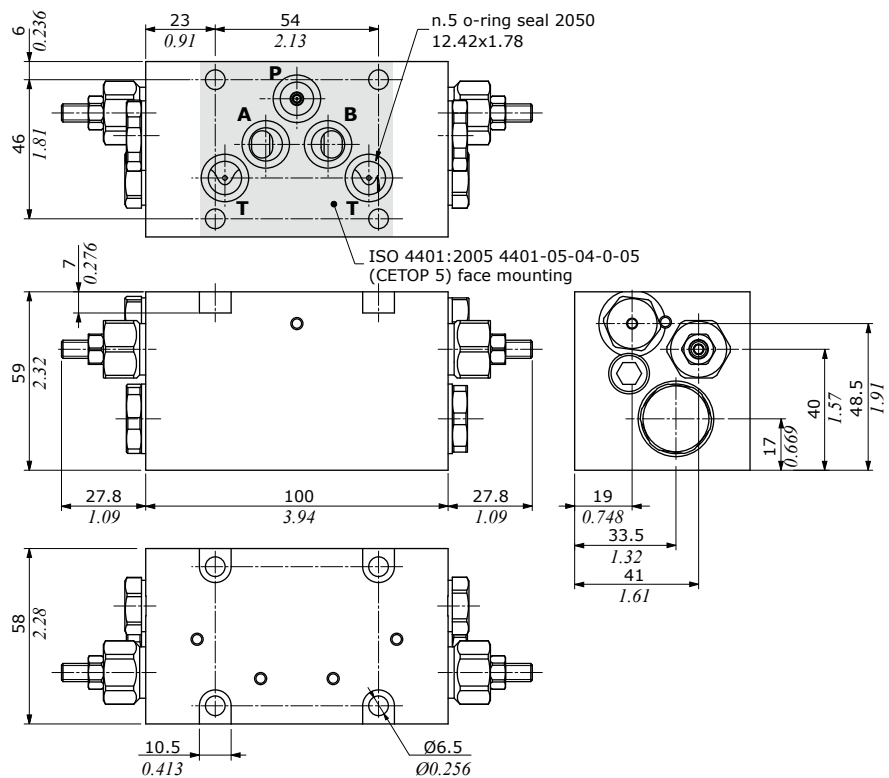


Dimensions

VIA/AP 6-38

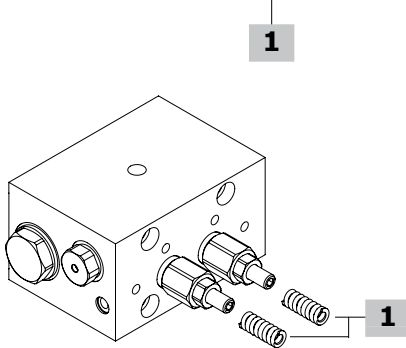


VIA/AP 10-12



Ordering codes and description composition

VIA/AP 6-38/VMP01/TS.S/gh



VIA/AP complete valves

VMP direct type valve configuration; range 50-220 bar (725-3200 psi), standard setting 150 bar @ 3 l/min (2175 psi @ 0.79 US gpm)

TYPE: **VIA/AP 6-38/VMP01/TS.S/gh** CODE: 1915023101

DESCRIPTION: Cast iron body,, CETOP 3 flange

TYPE: **VIA/AP 10-12/VMP02/TS.S/gh** CODE: 1915033101

DESCRIPTION: Cast iron body, CETOP 5 flange

For configurations with FPM (Viton) seals and SAE threads, please contact our Sales Dpt.

1 Pressure setting spring

TYPE	CODE	DESCRIPTION
------	------	-------------

For VIA/AP 6-38 valve

TV	3ML1061900	Setting range 50-80 bar (72.5-1160 psi)
-----------	------------	-----------------------------------------

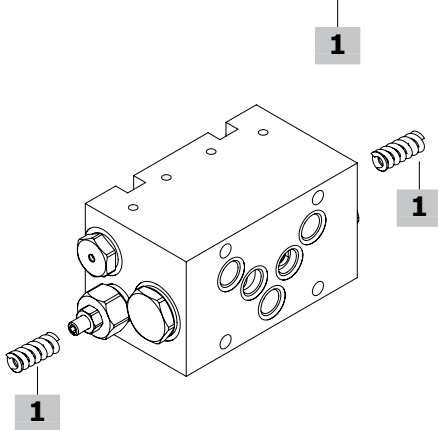
TS	3ML1071900	Setting range 50-220 bar (725-3200 psi)
-----------	------------	-----------------------------------------

For VIA/AP 10-12 valve

TV	3ML1081400	Setting range 50-80 bar (72.5-1160 psi)
-----------	------------	-----------------------------------------

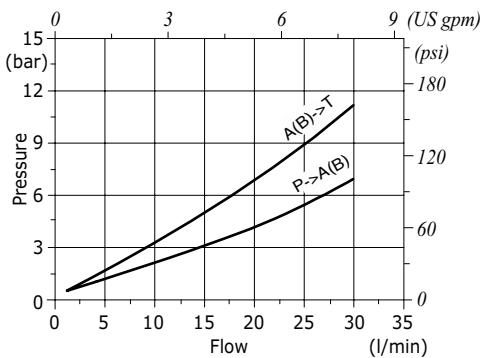
TS	3ML1081401	Setting range 50-220 bar (725-3200 psi)
-----------	------------	-----------------------------------------

VIA/AP 10-12/VMP02/TS.S/gh



Rating diagrams

VIA/AP 6-38 pressure drop vs. flow



VIA/AP 10-12 pressure drop vs. flow

