



F1 PUMP WI-MK132

HYDRAULIC

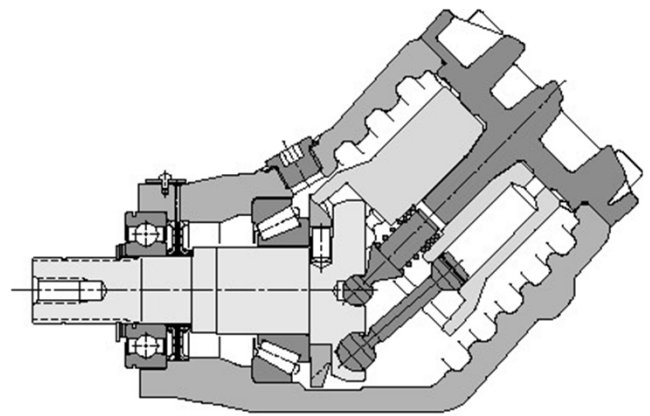
EXPRESS PROGRAM



ENGINEERING YOUR SUCCESS.

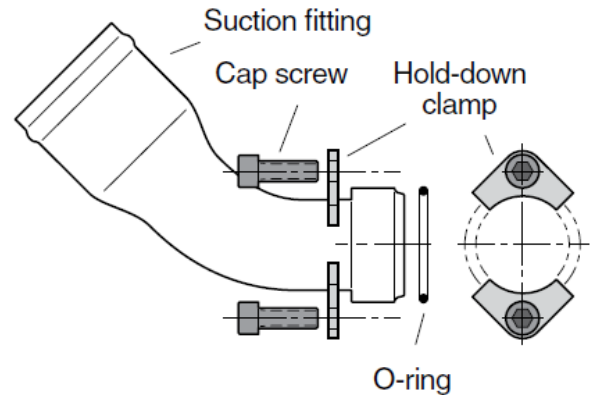
- **Together, we can deliver**
- Quick Turnaround - Core products stocked at Milton PSC
- Five displacements
- DIN 5462 Mount
- Suction Fittings
- By Pass Valves

PUMPS	
Part	Description
3781040	F1-041-R DIN PISTON PUMP
3781050	F1-051-R DIN PISTON PUMP
3781061	F1-061-L DIN PISTON PUMP
3781060	F1-061-R DIN PISTON PUMP
3781081	F1-081-L DIN PISTON PUMP
3781080	F1-081-R DIN PISTON PUMP
3781101	F1-101-L DIN PISTON PUMP
3781100	F1-101-R DIN PISTON PUMP
3781470	F2-70/35-R DIN PISTON PUMP

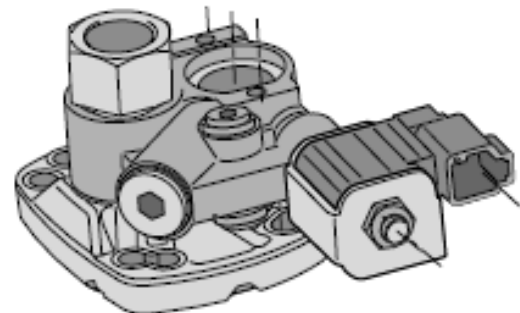


- **Accessories**

SUCTION FITTINGS	
Part	Description
3781234	SUCTION FITTING 1.25" 0 DEG
3780635	SUCTION FITTING 1.5" 0 DEG
3780633	SUCTION FITTING 1.5" 45 DEG
3780978	SUCTION FITTING 1.5" 90 DEG
3780636	SUCTION FITTING 2" 0 DEG
3780364	SUCTION FITTING 2" 45 DEG
3780979	SUCTION FITTING 2" 90 DEG
3780637	SUCTION FITTING 2.5" 0 DEG
3780634	SUCTION FITTING 2.5" 45 DEG
3781980	SUCTION FITTING 2.5" 90 DEG
3783523	SUCTION FITTING 3" 0 DEG
3783367	SUCTION FITTING 3" 45 DEG



BY PASS VALVES	
Part	Description
3787202	BY-PASS VALVE F1 SMALL 12 VDC
3787204	BY-PASS VALVE F1 LARGE 12 VDC
3787425	BYPASS VALVE F2 12 VDC



(Restricted for use by Parker Hannifin Personnel and Authorized Distributors) © 2017 Parker Hannifin Corporation



Parker Canada Division

Milton (905) 693-3000
Montreal (514) 684-3000
Calgary (403) 291-9284

pcdmktg@parker.com

Parker Policy MI-WK132

Confidential
Effective Date: April 30, 2017
Issue Date: April 30, 2017
Supersedes: N/A

www.parker.com/hbuexpress