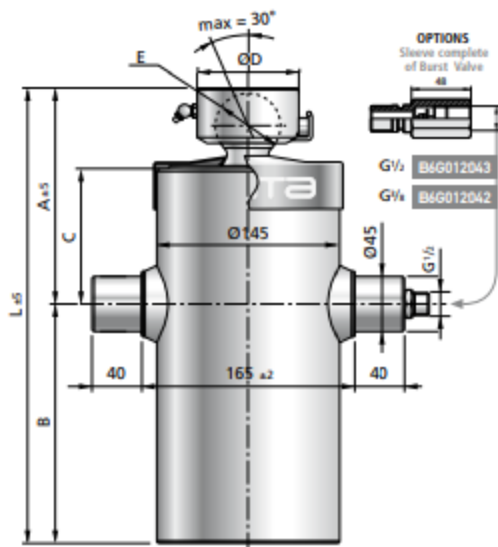


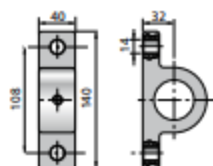
# L 120

**EFFECTIVE DIAMETER [mm] 120 • 105 • 90 • 75 • 60 • 45**

**OPTION with ROD EYE - PINS**

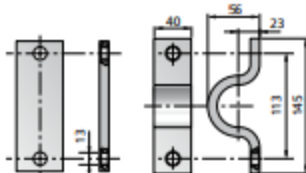
**OPTION with ROD EYE - LOWER PINS**


## ACCESSORIES

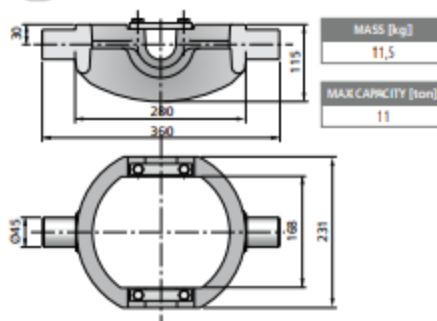
### CYLINDER SUPPORT • PAIR **A70045001**



### CRADLE SUPPORT • PAIR **A60045001**



### CRADLE **A5L080001**



## L 120 TECHNICAL DATA

MODEL	CODE	EXTENSIONS N.	POWER STROKE [mm]	MASS [kg]	WORKING VOLUME [dm <sup>3</sup> ]	MAX. WORKING PRESSURE [bar]	TIPPING CAPACITY [ton]	L	A	B	C	D	E
BL445 2250 120 6	3104451206001	6	2250	50	13,2	200	<b>7-14</b>	541	143	398	88	74	43
BL445 1870 120 5	3104451205001	5	1870	55	12,6	200	<b>9-17</b>	558	160	398	88	92	58
BL445 1500 120 4	3104451204001	4	1500	55	11,6	200	<b>11-21</b>	558	160	398	88	92	58
BL410 2055 120 6	3104101206001	6	2055	47	12,1	200	<b>7-14</b>	508	215	293	160	74	43
BL410 1705 120 5	3104101205001	5	1705	50	11,5	200	<b>9-17</b>	525	232	293	160	92	58
BL410 1365 120 4	3104101204001	4	1365	51	10,6	200	<b>11-21</b>	525	232	293	160	92	58
BL370 895 120 3	3103701203001	3	895	38	7,9	200	<b>13-24</b>	480	197	283	125	92	58
BL360 1725 120 6	3103601206001	6	1725	42	10,2	200	<b>7-14</b>	453	180	273	125	74	43
BL360 1430 120 5	3103601205001	5	1430	44	9,7	200	<b>9-17</b>	470	197	273	125	92	58
BL360 1145 120 4	3103601204001	4	1145	46	8,8	200	<b>11-21</b>	470	197	273	125	92	58
BL305 1410 120 6	3103051206001	6	1410	36	8,3	200	<b>7-14</b>	401	180	221	125	74	43
BL305 1170 120 5	3103051205001	5	1170	39	7,9	200	<b>9-17</b>	418	197	221	125	92	58
BL275 1240 120 6	3102751206001	6	1240	37	7,3	200	<b>7-14</b>	372	180	192	125	74	43
BL275 1025 120 5	3102751205001	5	1025	35	7	200	<b>9-17</b>	389	197	192	125	92	58