

* incl. 20 [-5; +30] mm pull out

3D model is available on request or www.hyva.com

Specifications		Max. pump flow		Tipping time	
Max. working pressure	250 bar	With KO ¹	190 L/min	With KO ¹	25 sec
Weight	225 kg	Without KO ¹	137 L/min	Without KO ¹	35 sec
Working volume	79 L	With KO ¹ below -20°C	133 L/min	With KO ¹ below -20°C	36 sec
Total volume	86 L	Without KO ¹ below -20°C	96 L/min	Without KO ¹ below -20°C	50 sec
Max. cyl. load (start tipping)	245 kN			Allowable lowering time	25 sec
Max. cyl. load (end of stroke) ²	125 kN				
Max. cyl. load (end of stroke) ³	146 kN				

Technical notes

- This cylinder is a lifting device only. • It should not be used as a structural member and should not be subjected to side loads. • Tipping valve must have a pressure relief at the cylinder port set not higher than max. working pressure. • Verify max. cyl. load. • Working temperature range is between -40°C and +80°C. • Max. duration of extension is 0.5 hours (excluded hard chromed stages). • Cylinder is painted grey (DB7350) with a min. thickness conforming to the 480 hours neutral salt spray test as per ISO 9227. • ¹ Hyva knock-off. • ² Unsubstantial unloading (sticky load). • ³ Substantial unloading. • 50 mm clearance required between the headboard and the stages at end of stroke (deviation from CYL-0031).

Related documentation

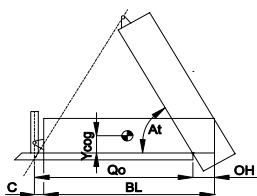
- Bracket options: 015BRA10 & 015BRA13
- Mounting instructions: CYL-0031
- Oil specifications: OIL-0011
- Spec sheet explanation: CYL-0041

Configuration

Extension	1	2	3	4	5	6	7	Total
Effective diameter [mm]	169	149	129	110	91			5630
Stroke* [mm]	1150	1170	1170	1170	970			

Tipping weight

For detailed tipping calculations please refer to: <https://tipper.hyva.com>



- BL body length
 - OH rear overhang
 - Ycog vert. pos. centre of gravity
 - Qo pivot length
 - C bracket length
 - At tipping angle
- $stroke \times 60 / Qo$

BL [mm]	7500	7200	6900			
OH [mm]	500	800	500	800	500	800
At [°]	45	47	49	47	49	52
Ycog [mm]	45	49	54	47	51	57
C	45	49	54	47	51	57
At	48	53	54	50	57	53
	52					

Tipping weight [ton] at maximum pressure of 250 bar for a vertically mounted cylinder and C is 158 mm

Pos.	Part no.	Description	Qty.
C01	71838901	DUST COVER FES 169-5	1
P01	74462391	PISTON FL3 S 091-1375-HC (SR=200)	1
P02	71853091K	SLIDER FL 091 (2 X 1/2) A22	1
P03	71851091K	OUTER STOPRING FL 091 A22	1
P04	71822091	BOTTOM PLATE PISTON FL 091	1
P05	01745012K	CIRCLIP 82 DIN 472 (87.5x2.5)	1
P06	71870215K	O-RING PISTON BOTTOM 091	1
P07	71847201	PISTON EYE SPH. FL3 091 L=075 GR	1
P08	01226430K	O-RING 72.62 X 3.53 MM	1
P09	01770085K	SPHERICAL BEARING D.50.3 DO GREASED	1
P10	01770560K	CIRCLIP 75 DIN 472 (79.5x2.5)	1
P11	71875012	PIN ROUND HEAD GROOVED 8x15 mm	2
P12	56288044K	GREASE NIPPLE M8x1 DIN 71412	1
P13	01317670K	GREASER PROTECTION CAP	1

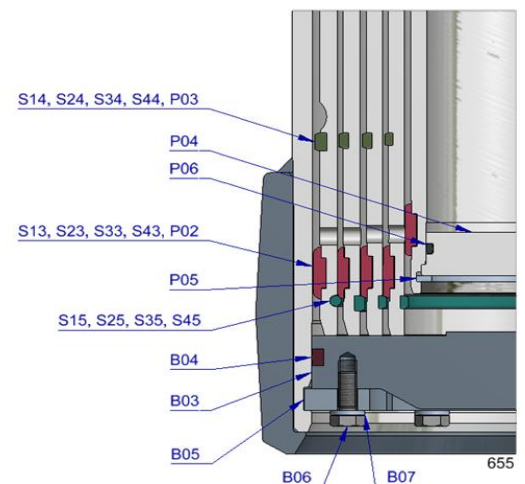
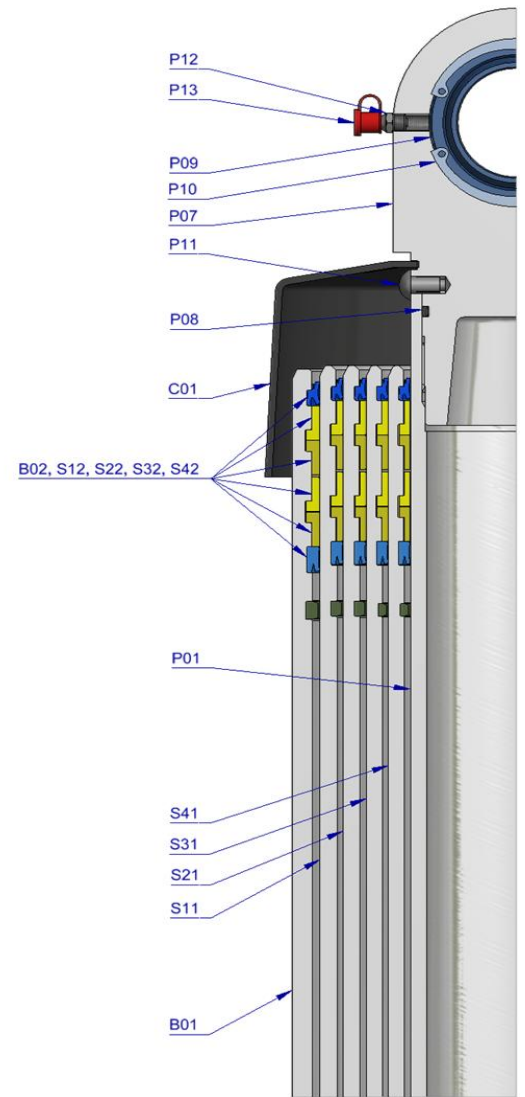
S41	74603370	STAGE FL2 110-1360	1
S42	71802110K	PACKSET FL 110	1
S43	71853110K	SLIDER FL 110 (2 X 1/2) A22	1
S44	71851110K	OUTER STOPRING FL 110 A22	1
S45	71852110K	LIFTRING FL 110 A22	1

S31	74604370	STAGE FL2 129-1360	1
S32	71802129K	PACKSET FL 129/HP 129	1
S33	71853129K	SLIDER FL 129 (2 X 1/2) A22	1
S34	71851129K	OUTER STOPRING FL 129 A22	1
S35	71852129K	LIFTRING FL 129 A22	1

S21	74605370	STAGE FL2 149-1360	1
S22	71802149K	PACKSET FL 149/HP 150	1
S23	71807151K	SLIDER FL 149 A35	1
S24	71851149K	OUTER STOPRING FL 149 A22	1
S25	71852149K	LIFTRING FL 149 A22	1

S11	74606370	STAGE FL2 169-1360	1
S12	71802169K	PACKSET FL 169	1
S13	71807171K	SLIDER FL 169 A35	1
S14	71851169K	OUTER STOPRING FL 169 A22	1
S15	71813169K	LIFTRING FL 169x5	1

B01	74507384	BASE FL2 191-1403-4/4BSAE-190-TP290	1
B02	71802191K	PACKSET FL 191	1
B03	71825430	BOTTOM PLATE FL2 191	1
B04	71870040K	SEAL BOTTOM PLATE FL 191	1
B05	71820195	LOCKING PLATE FL2 191	3
B06	01732055K	BOLT HEX M8X20X1.25 SET 6 PCS	1
B07	01732559K	WASHER SPRING M8 SET 6 PCS	1



Seal kit complete

71908650K	Consists of all packsets with packset grease and O-rings
-----------	--

Notes

The inner stopring and piston bottom are pre-mounted on spare bases, stage and pistons. Therefore, when ordering new tubes, it is not required to order these parts separately.

For repair instructions see: CYL-0040. Serial no. is located on type plate and near type plate support.