

TT underbody tipping gears/ Kippzylinder

Model/Modell	Product code/Artikelnummer	Stages/Stufen	Nominal stroke/Hub (mm)	Stroke/Hub [dm ³]	Max TW/ton	Weight/Gewicht (kg)	A mm	B mm	C mm	D* mm	E* mm
TT-22											
153/55	310206641	6	1275	9,7	14 t	79	153	167	345	198/(248)	230/(180)
173/55	310206643	7	1523	14,2	14 t	93	173	188	345	198/(248)	230/(180)
195/70	310206645	7	1570	19,5	25 t	115	195	210	420	198/(248)	230/(180)
195/55	310206647	8	1768	20	25 t	116	195	210	420	198/(248)	230/(180)
219/70	310206649	8	1806	26,4	25 t	131	219	235	420	198/(248)	230/(180)
219/55	310206651	9	1962	26,8	25 t	133	219	235	420	198/(248)	230/(180)
254/70	310206655	9	2036	35,2	32 t	168	247	260	455	198/(248)	230/(180)
254/55	310206657	10	2192	35,6	32 t	171	247	260	455	198/(248)	230/(180)
TT-27											
133/55	310206679	5	1275	7,9	14 t	72	133	144	345	248/(298)	230/(180)
153/55	310206683	6	1575	14,9	14 t	85	153	167	345	248/(298)	230/(180)
173/70	310206685	6	1625	18,1	14 t	98	173	188	345	248/(298)	230/(180)
173/55	310206687	7	1873	19,5	14 t	99	173	188	345	248/(298)	230/(180)
195/70	310206693	7	1920	23,2	25 t	123	195	210	420	248/(298)	230/(180)
195/55	310206695	8	2168	24,6	25 t	125	195	210	420	248/(298)	230/(180)
219/85	310206697	7	1958	27,0	25 t	143	219	235	420	248/(298)	230/(180)
219/70	310206699	8	2206	28,8	25 t	142	219	235	420	248/(298)	230/(180)
219/55	310206701	9	2404	29,9	25 t	144	219	235	420	248/(298)	230/(180)
254/85	310206676	8	2238	41,6	32 t	185	247	260	455	248/(298)	230/(180)
254/70	310206703	9	2486	42,5	32 t	181	247	260	455	248/(298)	230/(180)
254/55	310206704	10	2684	43,0	32 t	183	247	260	455	248/(298)	230/(180)
TT-32											
195/55	310206659	8	2568	28,4	25 t	133	195	210	420	298/(348)	230/(180)
219/70	310206663	8	2607	37,7	25 t	152	219	235	420	298/(348)	230/(180)
254/85	310206667	8	2638	48,3	32 t	196	247	260	455	298/(348)	230/(180)
254/70	310206669	9	2934	50	32 t	195	247	260	455	298/(348)	230/(180)
254/55	310206673	10	3184	50,7	32 t	197	247	260	455	298/(348)	230/(180)



TT22



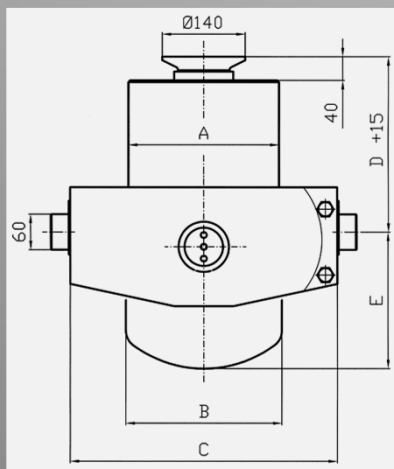
TT27



TT32

Minimum installation space 15 mm
Minimaler Einbauraum 15 mm

* Dimensions in brackets when the cradle is upside down
* Masse in Klammer gelten, wenn der Kardanring umgekehrt ist



Stage Ø	220	270	320	500	590	660	Stroke/stage
Stufe Ø	250	250	250	250	250	250	Hub / Stufe
							Max pressure
							Max Druck
55	0	0	0				
70	0	0	0	0	0		
85	0	0	0	0	0	0	
100	0	0	0	0	0	0	
115	0	0	0	0	0	0	
132	0	0	0	0	0	0	
152	0	0	0	0	0	0	
172	0	0	0	0	0	0	
194	0	0	0	0	0	0	
218	0	0	0	0	0	0	