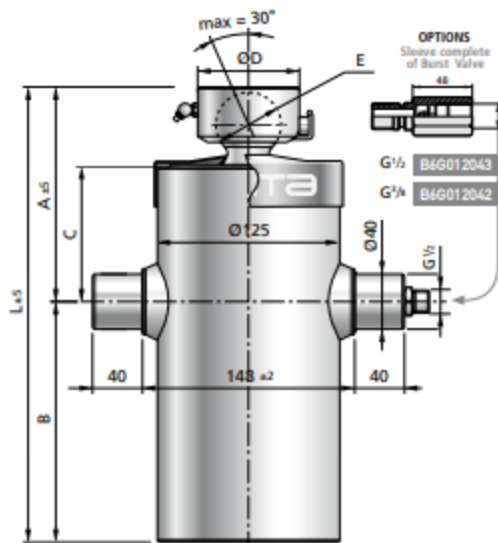
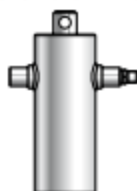


L 105

EFFECTIVE DIAMETER [mm] 105 • 90 • 75 • 60 • 45 • 30



OPTION with ROD EYE - PINS

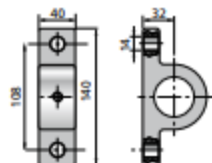


OPTION with ROD EYE - LOWER PINS

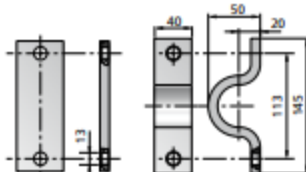


ACCESSORIES

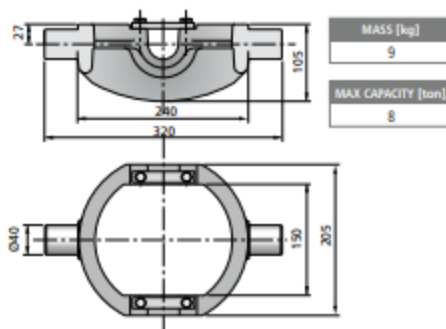
CYLINDER SUPPORT • PAIR A70040001



CRADLE SUPPORT • PAIR A60040001



CRADLE A5L060001



L 105 TECHNICAL DATA

MODEL	CODE	EXTENSIONS N.	POWER STROKE (mm)	MASS (kg)	WORKING VOLUME (dm ³)	MAX. WORKING PRESSURE (bar)	TIPPING CAPACITY (ton)	L	A	B	C	D	E
BL445 1875 105 5	3104451055001	5	1875	38	8,9	200	6-12	532	140	392	85	74	43
BL445 1495 105 4	3104451054001	4	1495	40	8,3	200	8-15	549	157	392	85	92	58
BL360 1435 105 5	3103601055001	5	1435	30	6,8	200	6-12	444	150	294	95	74	43
BL360 1140 105 4	3103601054001	4	1140	33	6,4	200	8-15	461	167	294	95	92	58
BL360 855 105 3	3103601053010	3	855	35	5,6	200	10-18	461	167	294	95	92	58
BL320 1240 105 5	3103201055001	5	1240	28	5,9	200	6-12	405	150	255	95	74	43
BL320 985 105 4	3103201054001	4	985	27	5,5	200	8-15	405	150	255	95	74	43
BL320 985 105 4	3103201054003	4	985	29	5,4	200	8-15	422	167	255	95	92	58
BL275 1030 105 5	3102751055001	5	1030	24	4,9	200	6-12	363	150	213	95	74	43
BL275 820 105 4	3102751054001	4	820	22	4,6	200	8-15	363	150	213	95	74	43
BL265 1175 105 6	3102651056001	6	1175	22	4,7	200	5-9	351	151	200	95	74	43
BL235 1005 105 6	3102351056001	6	1005	21	4,1	200	5-9	323	151	172	95	74	43