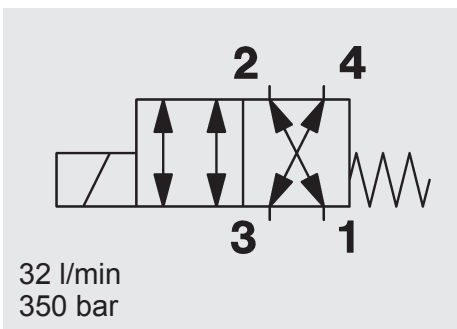
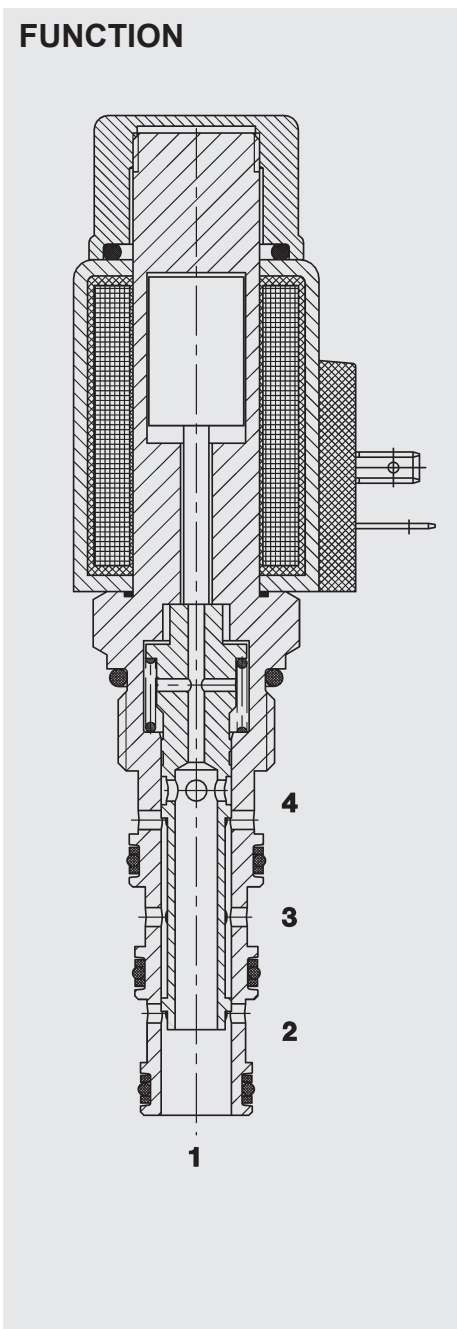


4/2 Solenoid Directional Valve **UNF** Spool Type, Direct-Acting SAE-10 Cartridge – 350 bar WK10Y-01



FUNCTION



When de-energized, the valve allows flow from port 3 to 4 or from 4 to 3 and from port 1 to 2 or 2 to 1.

When energized, the valve allows flow from port 2 to 3 or from 3 to 2 and from port 1 to 4 or 4 to 1.

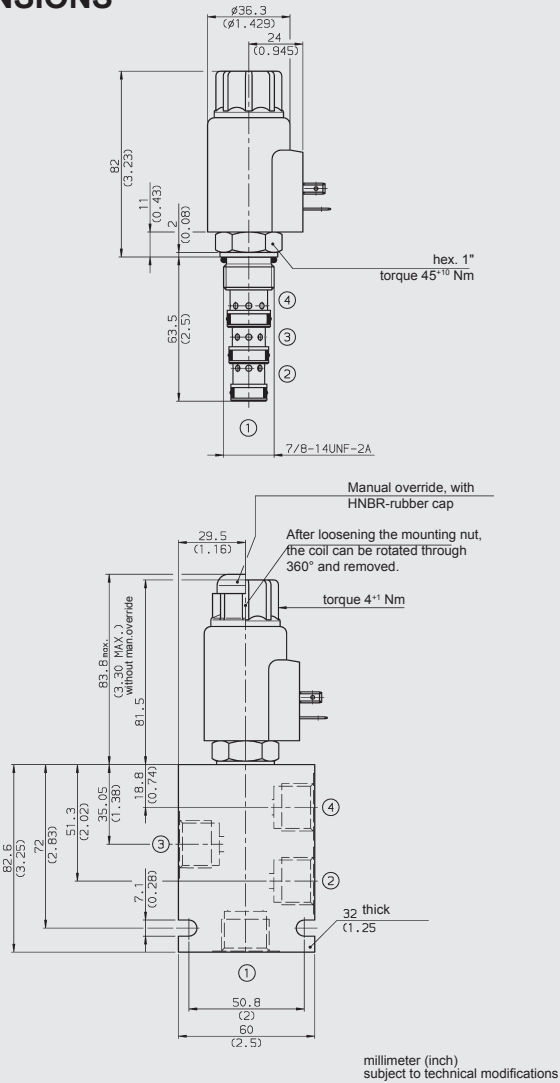
FEATURES

- External surfaces zinc-plated and corrosion-proof
- Hardened and ground internal valve components to ensure minimal wear and extended service life
- Coil seals protect the solenoid system
- Wide variety of connectors available
- Excellent switching performance by high power HYDAC solenoid
- Low pressure drop due to CFD optimized flow path

SPECIFICATIONS

Operating pressure:	max. 350 bar	
Nominal flow:	max. 32 l/min	
Internal leakage:	max. 120 cm ³ /min at 250 bar and 34 mm ² /s	
Media operating temperature range:	min. -20 °C to max. +100 °C	
Ambient temperature range:	min. -20 °C to max. +60 °C	
Operating fluid:	Hydraulic oil to DIN 51524 Part 1 and 2	
Viscosity range:	min. 7.4 mm ² /s to max. 420 mm ² /s	
Filtration:	Class 21/19/16 according to ISO 4406 or cleaner	
MTTF _a :	150 years (see "Conditions and instructions for valves" in brochure 5.300)	
Installation:	No orientation restrictions	
Materials:	Valve body:	free-cutting steel
	Spool:	hardened and ground steel
	Seals:	NBR (standard) FKM (optional, media temperature range -20 °C to +120 °C)
	Back-up rings:	PTFE
	Coil:	steel / polyamide
Cavity:	FC10-4	
Weight:	Valve complete	0.48 kg
	Coil only	0.23 kg
Electrical data:		
Response time:	Energized:	approx. 35 ms
	De-energized:	approx. 50 ms
Type of voltage:	DC solenoid, AC voltage is rectified using a bridge rectifier built into the coil	
Current draw at 20 °C:	2.22 A at 12 V DC 1.13 A at 24 V DC	
Voltage tolerance:	± 15% of the nominal voltage	
Coil duty rating:	Continuous up to max. 115% of the nominal voltage at 60 °C ambient temperature	
Coil type:	Coil...-50-1836	

DIMENSIONS



millimeter (inch)
subject to technical modifications

MODEL CODE

WK10Y - 01 M - C - N - 24 DG

Basic model

Directional spool valve, UNF

Type

01 = standard

Manual override

no details = without manual override
M = manual override

Body and ports*

C = cartridge only
SB4 = G1/2 ports, steel body
AB4 = G1/2 ports, aluminium body

Seals

N = NBR
V = FKM

Coil voltage

DC voltages

12 = 12 V DC
24 = 24 V DC

AC voltages (bridge rectifier built into the coil)

115 = 115 V AC
230 = 230 V AC
Other voltages on request

Coil connectors (type 50-1836)

DC: DG = DIN connector to EN 175301-803
DK = KOSTAL-threaded connection M27x1
DL = 2 flying leads, 457 mm long; 0.75 mm²
DN = Deutsch connector, 2-pole, axial
DT = AMP Junior Timer, 2-pole, radial
AC: AG = DIN connector to EN 175301-803
Other connectors on request

Standard models

Model code	Part No.
WK10Y-01-C-N-12DG	3095462
WK10Y-01-C-N-24DG	3094514
WK10Y-01-C-N-230AG	3094515

Other models on request

*Standard in-line bodies

Code	Part No.	Material	Ports	Pressure
FH104-SB4	3037784	Steel, zinc-plated	G1/2	420 bar
FH104-AB4	3038097	Aluminium, anodized	G1/2	210 bar

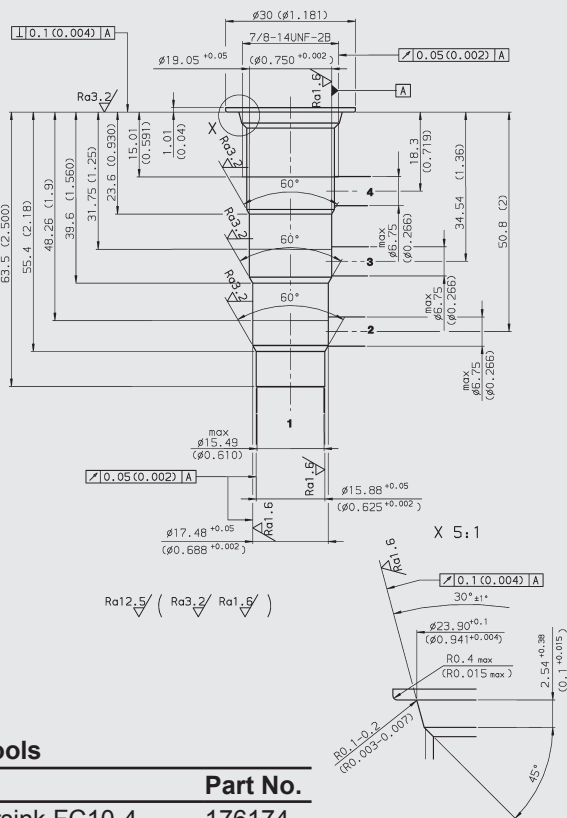
Other bodies on request

Seal kits

Code	Material	Part No.
FS104-N SEAL KIT	NBR	3051912
FS104-V SEAL KIT	FKM	3071275

CAVITY

FC10-4



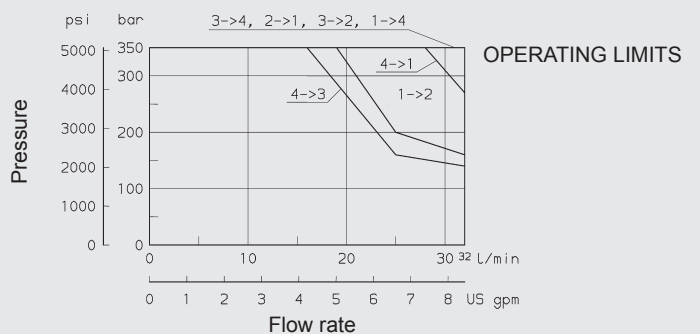
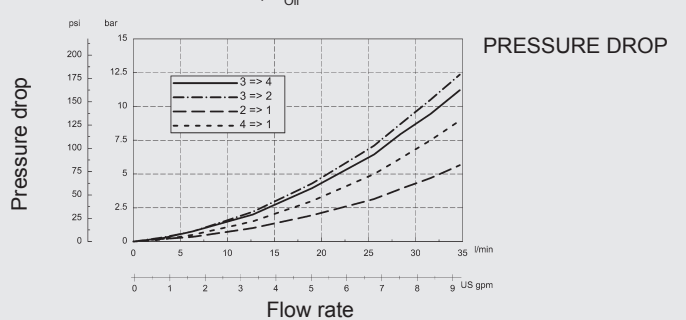
millimeter (inch)
subject to technical modifications

Form tools

Tool	Part No.
Countersink FC10-4	176174
Reamer FC10-4	176175

PERFORMANCE

Measured at $v = 34 \text{ mm}^2/\text{s}$, $T_{oil} = 46^\circ\text{C}$



NOTE

The information in this brochure relates to the operating conditions and applications described. For applications or operating conditions not described, please contact the relevant technical department.
Subject to technical modifications.

HYDAC Fluidtechnik GmbH

Justus-von-Liebig-Str.
D-66280 Sulzbach/Saar
Tel: 0 68 97 /509-01
Fax: 0 68 97 /509-598
E-Mail: flutec@hydac.com