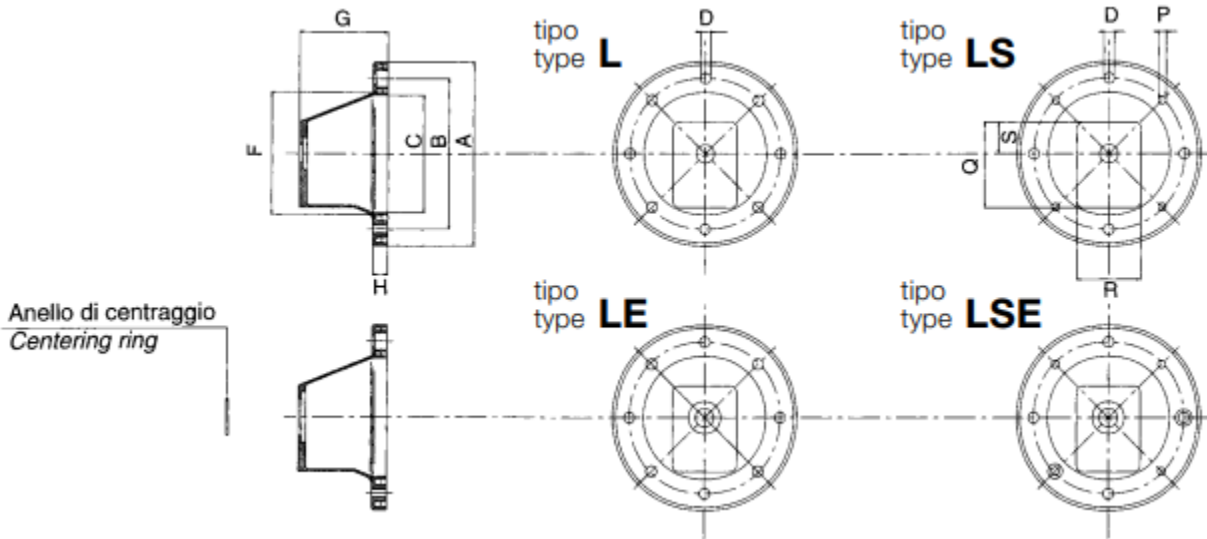
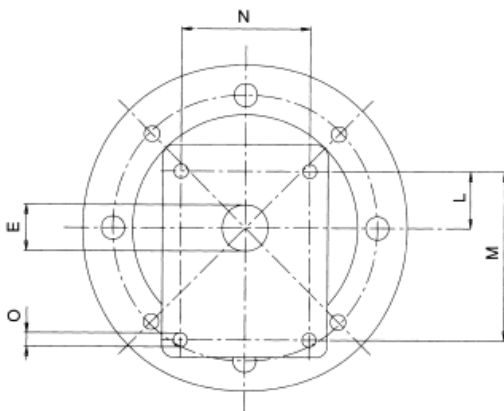


CONNECTIONS BETWEEN ELECTRICAL MOTORS WITH STANDARD B3 - B5 - B14 FLANGE AND HYDRAULIC GEAR PUMPS



	A	B	C	D	P
1.1-1.5 kW	200	165	130	12	M10
2.2-4 kW	250	215	180	14	M12
5.5-9 kW	300	265	230	14	M12
11-22 kW	350	300	250	18	M16

TYPE OF AVAILABLE BELLHOUSINGS EURO GR1, GR2, GR3



	L	M	N	O	E
GR1	26,2	72	52	M6	25,4
GR2	32	96	71,5	M8	36,5
GR3	42	128	98,5	M10	50,8

# FLANGIA / FLANGE

tipo / series **B3 - B5**

