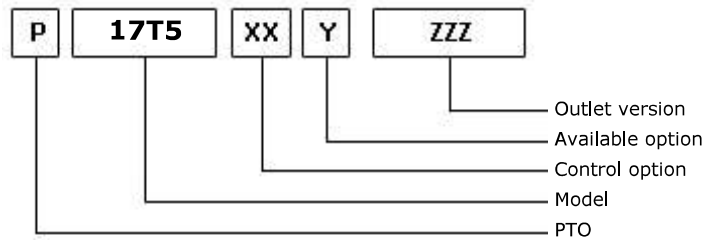
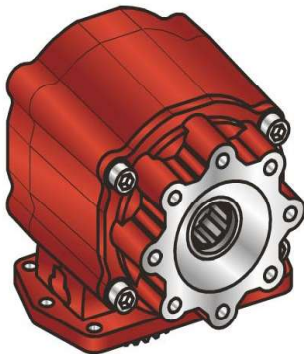




### POSSIBLE SOLUTIONS



23/07/2012

### TEC. SPECIFICATIONS

	<b>Outlet 1</b>	
<b>Torque (NM)</b>	535	<b>Replaces</b>
<b>Int. Ratio</b>	1,19	<b>Replaced by</b>
<b>Teeth number</b>	50	

### CONTROL TYPE HYDROCAR

Electric     Hydraulic    Mechanic    Fixed engagement     Pneumatic    Vacuum system

### CONTROL VERSIONS (XX)

Type	82z1	Description
I	1	Standard Control
P	1	Standard Control M12x1,25

### AVAILABLE OPTIONS (Y)

82z1	Description	Lubr. Kit	Switch Kit	Reinforced
1	Inspection plug			<input checked="" type="checkbox"/>
2	Electric drive type AMP			<input checked="" type="checkbox"/>
3	Electric drive type IVECO			<input checked="" type="checkbox"/>
7	Electric drive type AMP RVI			

### OUTLET VERSIONS (ZZZ)

82z1	Description
294	4 HOLES PUMP SE/R REAR
740	FL DIN00 REAR SIDE
741	FL SPICER 1120 REAR SIDE
742	FL DIN10 REAR SIDE
743	FL SPICER 1300 REAR SIDE
744	FL SPICER 1410 REAR SIDE



### Conversion kit

Pneumatic/Mechanic  
Mechanic/Pneumatic  
Electric control

UNI from DIN 5462 SE/R

606X03RZ000

### Flange kit

82z1

Description

197KFL21000	DIN00 (90mm) IVECO
197KFL22000	DIN10 (100mm) IVECO
197KFL27000	SPICER 1300 IVECO
197KFL28000	SPICER 1120 IVECO
197KFL38000	SPICER 1410 IVECO

### ELECTRIC KITS

82z1

Description

194KE004000	SAFETY KIT (FOR PNEUMATIC CLUTCHES)
194KE005000	SAFETY KIT IVECO EUROTECH
194KE006000	DIN COIL FOR ELECTRO KIT IVECO
194KE013000	DIN COIL FOR ELECTRO KIT IVECO CURSOR
194KE018000	DIN COIL FOR ELECTRO KIT SCANIA
194KE029000	DIN COIL FOR ELECTRO KIT IVECO TECTOR
194KE034000	DIN COIL FOR ELECTRO KIT IVECO STRALIS
194KE040000	ELECTRICAL KIT FOR MERCEDES
194KE044000	ELECTRO KIT FOR AMP COIL



**Hydrocar**  
*Hydraulic Energy*

# 17T5

#PTO LAT. ALLISON MD SERIE TOP

### MATCHINGS

Brand	Range	Model	1st Gear ratio	Outlet	Application
ALLISON		MD SERIE TOP	0,00	Upper / Left	A1

